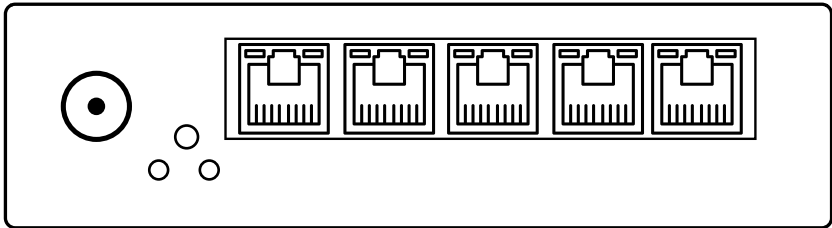




SILBO™

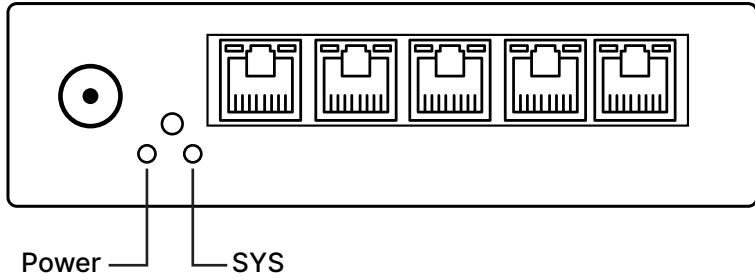
An Invendis Product



Quick Start Guide for SILBO-RV00

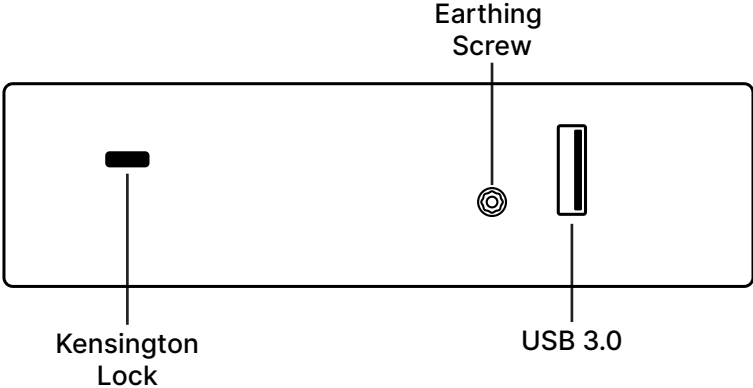
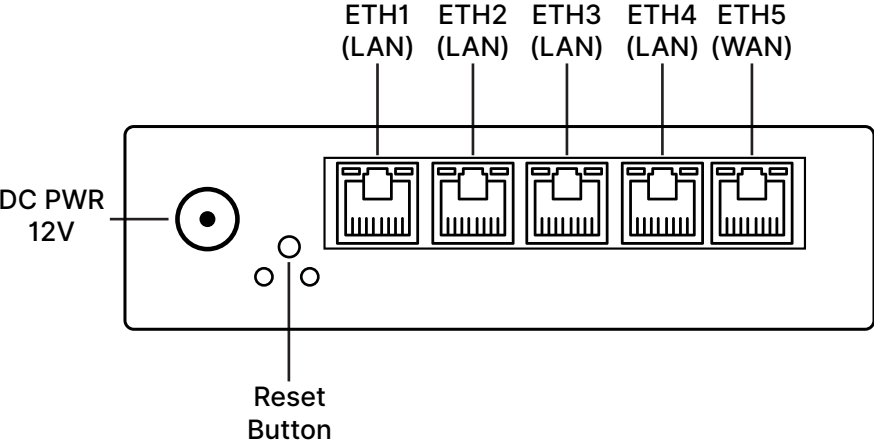
1. About Router.

1.1 LED Indication



LED	STATUS	INDICATION
Power	ON/OFF	Turns ON as the device is powered with 9-30V DC.
System	ON/OFF	Turns ON as the device is having the Firmware Upgrade through Reset button

1.3 Interfaces



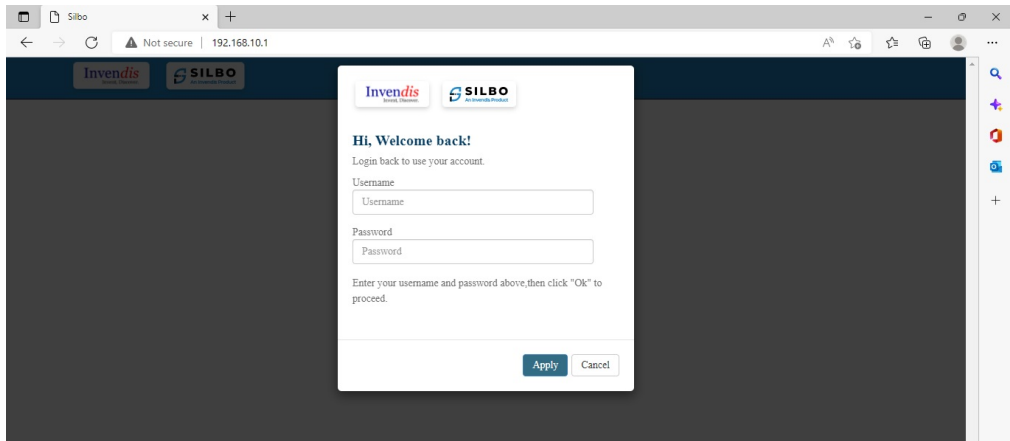
2. Web Page Login

Follow the below instructions to log into devices WEBGUI.

Connect the LAPTOP/Desktop to the LAN interface(ETH1) or connect to the router/Gateway using Mobile/Tablet/LAPTOP over Wi-Fi.

Router/Gateway will assign IP using built-in DHCP server or LAN/WLAN Client can have static IP in 192.168.10.x/24 or 192.168.100.x/24 subnet respectively for LAN or Wi-Fi interface.

Use LAN IP 192.168.10.1 or WLAN IP 192.168.100.1 in the web browser to log in as shown.



Login credentials -

WebUI: admin/admin

Wi-Fi SSID: AP_xxxx

Wi-Fi Password: 12345678

For support write an email to routersupport@invendis.com