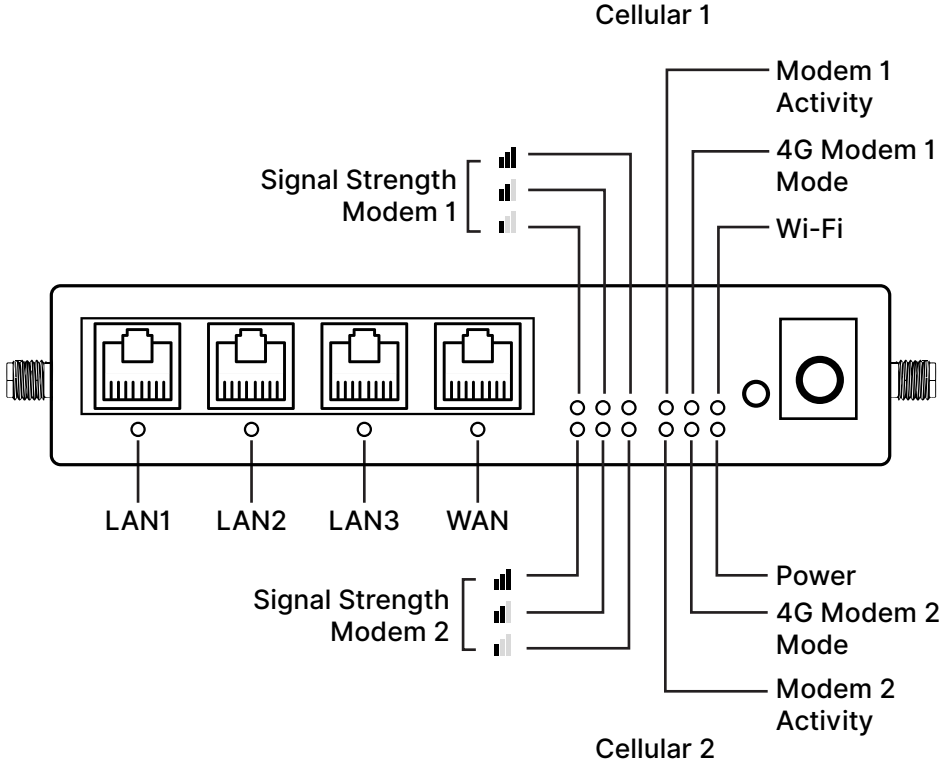


# Quick Start Guide for SILBO-RE44

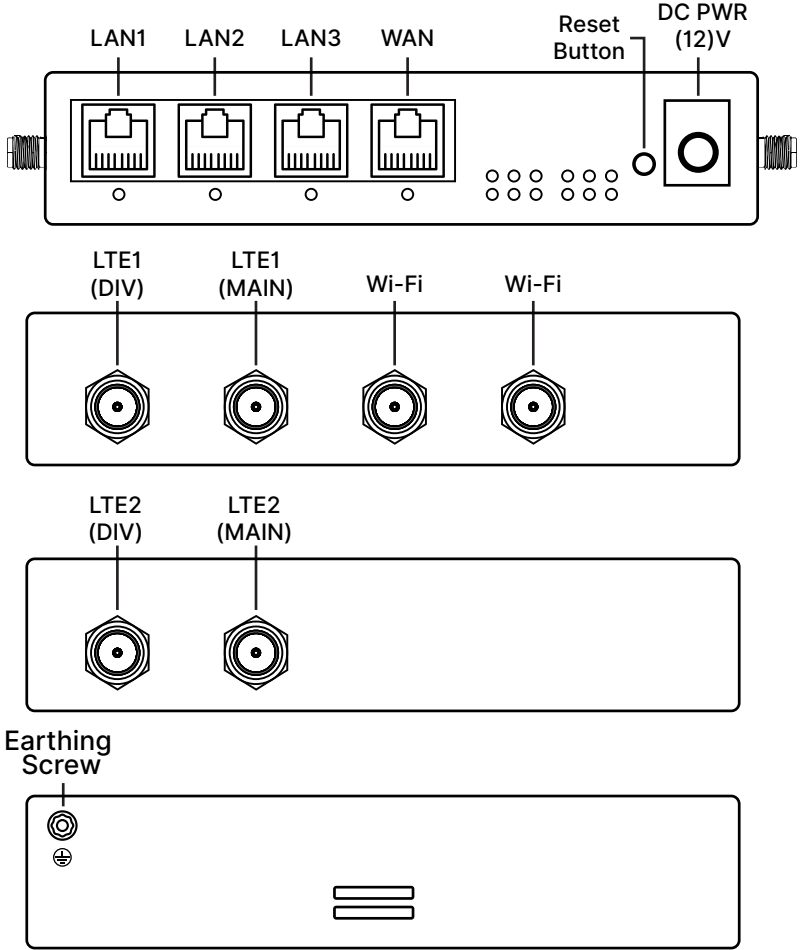
# 1. About Router.

## 1.1 LED Indication



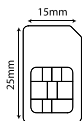
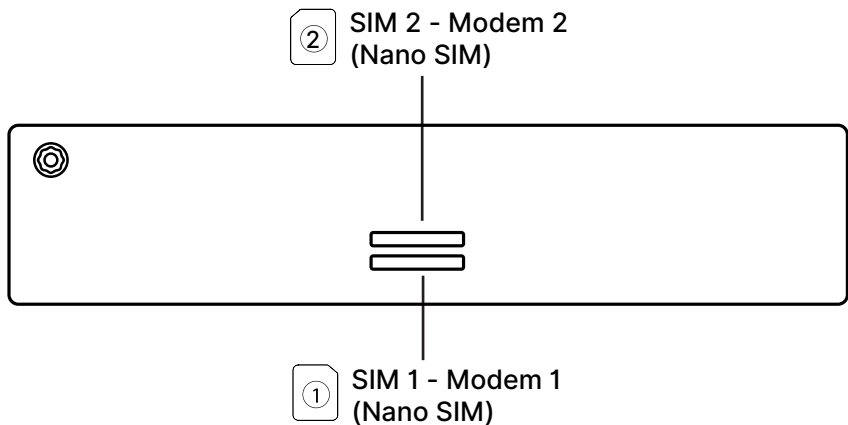
		<b>LED</b>	<b>STATUS</b>	<b>INDICATION</b>
<b>Cellular 1 &amp; Cellular 2</b>	<b>Modem Activity</b>	ON/OFF Flashing		Flashing slowly (200ms ON/1800ms OFF) Network searching Flashing slowly (1800ms ON/200ms OFF) Idle Flashing quickly (125ms ON/125ms OFF) Data transfer is ongoing
	<b>4G Modem Mode</b>	ON/OFF		<ul style="list-style-type: none"> <li>● ON indicates that device is connected to 4G network</li> <li>● OFF Indicates that device is connected to 2G/3G network</li> </ul>
	<b>Wi-Fi</b>	<ul style="list-style-type: none"> <li>● ON/OFF</li> <li>● Flashing</li> </ul>		<ul style="list-style-type: none"> <li>● ON indicates Wi-Fi Network is ready</li> <li>● Flashing indicates Data transfer is ongoing/Device booting indication</li> </ul>
	<b>Power</b>	ON/OFF		ON indicates device is powered OK with 9-30V DC
	<b>LAN1</b>	Flashing		Flashing indicates that LAN 1 is active
	<b>LAN2</b>	Flashing		Flashing indicates that LAN 2 is ongoing
	<b>LAN3</b>	Flashing		Flashing indicates that LAN 3 is ongoing
	<b>WAN</b>	Flashing		Flashing indicates that WAN is ongoing

# 1.3 Interfaces



## 1.4 SIM Insertion / Removal Process

Insertion of primary SIM and secondary SIM as per below Figure.  
The SIM connector in the SILBO-RE44 router is push-push type.  
You push to insert the SIM (until you hear a click sound) and push to extract the SIM out.



Mini SIM



Micro SIM



Nano SIM  
Front



Nano SIM  
Back

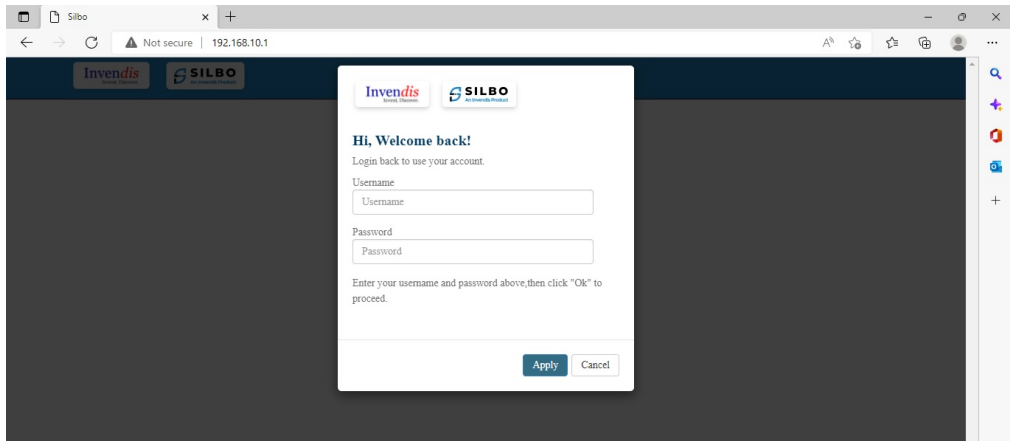
## 2. Web Page Login

Follow the below instructions to log into devices WEBGUI.

Connect the LAPTOP/Desktop to the LAN interface(ETH1) or connect to the router/Gateway using Mobile/Tablet/LAPTOP over Wi-Fi.

Router/Gateway will assign IP using built-in DHCP server or LAN/WLAN Client can have static IP in 192.168.10.x/24 or 192.168.100.x/24 subnet respectively for LAN or Wi-Fi interface.

Use LAN IP 192.168.10.1 or WLAN IP 192.168.100.1 in the web browser to log in as shown.



Login credentials -

**WebUI: admin/admin**

**Wi-Fi SSID: AP\_xxxx**

**Wi-Fi Password: 12345678**

For support write an email to [routersupport@invendis.com](mailto:routersupport@invendis.com)