



# ID55



## PROCESSOR

MediaTek MT7621 512MB  
DDR RAM, 32MB Flash



## CELLULAR

5G/4G/3G with Dual  
SIM, External 5dBi antenna



## Wi-Fi

Dual-Band Wi-Fi, AP/Station,  
External 5dBi antennas



## INTERFACE

3x LAN 10/100/1000  
1x WAN 10/100/1000  
1x RS485



## POWER

9-30V DC Input



## OPERATING SYSTEM

Open-WRT Linux

ID55 Gateway is designed to deliver faster connectivity using 5G. This next-generation device combines lightning-fast 5G cellular capabilities, 5x Gigabit Ethernet ports and Dual SIM support for seamless internet access. With Dual-band Wi-Fi functionality, it ensures enhanced wireless connectivity. Versatile and dependable, the ID55 operates flawlessly on a wide voltage input range from 9 to 30 V dc, making it suitable for diverse applications. What sets it apart is its support for industrial protocols like Modbus TCP master, Modbus RTU master, while an RS485 serial input enhances compatibility with industrial devices and systems using serial communication protocols such as Modbus to MQTT/HTTP/Azure MQTT/Azure HTTP publisher.

### Accessories:



Rubber Duck LTE Antenna



Rubber Duck Wi-Fi Antenna



Power Cable



Metal Din Rail

## SOFTWARE SPECIFICATIONS

### Cellular

Cellular Module	5G SA Sub-6 up to 2Gbps, NSA Sub-6 up to 2.2 Gbps, 4G (LTE) up to 600Mbps, 3G - up to 42 Mbps
Status	Single strength (RSSI), SINR, RSRP, RSRQ
Band Management	Auto/User configurable & Operator Lock
APN	Configurable, Auto APN (Planned)
Modem configuration mode	Single SIM, Dual SIM
SIM switching	Signal strength, ICMP echo, Data limit based
PDP Type	IPv4, IPv6, Dual stack
Passthrough	Router assigns its mobile WAN IP address to another device on LAN (Planned)

### Wi-Fi

Wi-Fi Mode	Access Point, Station, Guest Wi-Fi
Encryption	TKIP, AES
Technology	802.11 b/g/n/ac with 20 MHz, 40 MHz
Authentication	WPA (PSK), WPA2 (PSK)
TX Power	Configurable
Wi-Fi Scheduler	Scheduled ON/OFF

### Firewall & Networking

Routing	Static routing
Network Protocols	TCP, UDP, IPv4, IPv6, ICMP, NTP, DNS, HTTP, HTTPS, SCP, PPP, SSH, DHCP, SNMP (Planned), TR069
Connecting Monitoring	Ping Reboot, Scheduled Periodic Reboot
Firewall features	Port forward, traffic rules, SNAT, Zone- Zone traffic control
DHCP	Static and Dynamic
Failover	Configurable Failover or load balancing option for Cellular WAN, Wired, and Wi-Fi WAN
Authentication	Pre-shared key, X.509 certificates
VLAN	Port based VLAN, Tag based VLAN 802.1ad
Other	MAC binding, black/whitelisting
VPN	Open VPN, IPsec, GRE, L2TP, PPTP, GRE over IPsec
Open VPN	TUN/TAP
IPsec	IKEv1, IKEv2, supports up to 4xVPN IPsec clients. Encryption: DES, 3DES, AES128, AES192, AES256
PPTP, L2TP	WAN with PPTP/L2TP configuration for secure broadband connection

### Remote Management

NMS	Remote monitoring of SILBO Networking products
NMS VPN	Remote access of SILBO and non-SILBO Networking Devices

### Gateway

Gateway Protocols	Modbus RTU, Modbus TCP,
Serial Mode	Transporent(Over IP), Modbus Gateway
Data sender	HTTP, MQTT, Azure MQTT

### Operating System

Operating System	Open-WRT based Linux OS
Supported Languages	Shell scripting, C, C++
Development tools	SDK package with built environment provided (Optional)

## HARDWARE SPECIFICATIONS

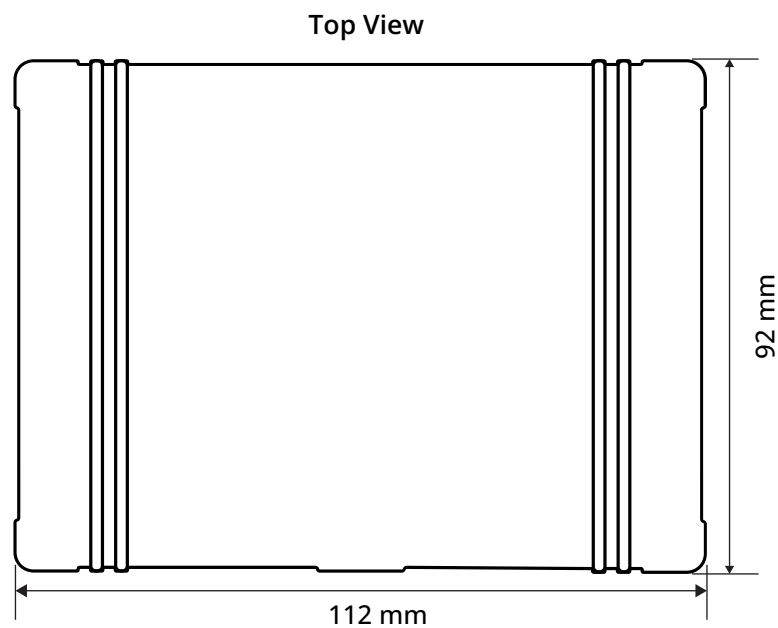
### Operating System

CPU	MediaTek MT7621
FLASH	32MB
RAM	512MB
WAN	1x 10/100/1000 (Configurable WAN/LAN)
LAN	3x 10/100/1000
Serial Interface	1x RS485 (Isolated)
SIM	2x Nano SIM (1x Active & 1x Passive)
Reset	Pinhole Reset Button
Wi-Fi	802.11b/g/n/ac
Antenna	Cellular: 4x SMA Connector, Wi-Fi: 4x SMA connector
Enclosure	Industrial Aluminium Alloy Enclosure
Mounting	Din-rail mount (Optional)
Design	Fanless
Dimensions	112 x 35 x 92mm (W x H x D)
Weight	400 gm
Status LED	Single strength, Wi-Fi 4 & Wi-Fi 5 LED, RS485 Rx & Tx LED, Power LED
Input Power	9-30 Vdc

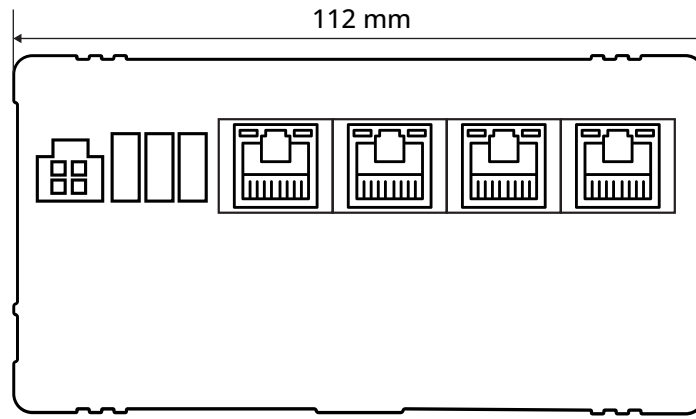
### Operational & Environmental

Storage Temperature	30 ~ 75°C
Operating Temperature	-25 ~ 65°C
Humidity	10 ~ 90% (non-condensing)
Ingress Protection Rating	IP30

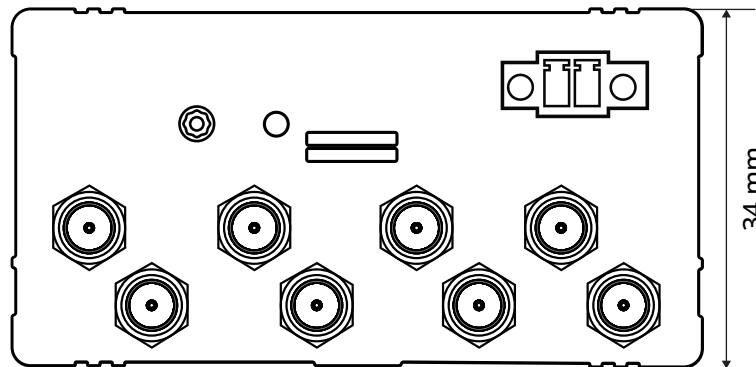
### Spatial Measurement:



Front View






Rear View



\*All rights reserved, subject to change without prior notice.

Get in touch :

-  [sales@invendis.com](mailto:sales@invendis.com)
-  [www.silbonetworks.com](http://www.silbonetworks.com)
-  No. 230, 1st Cross, 38th Main, BOOHBCS Layout,  
BTM 2nd Stage, Bangalore – 560 068

