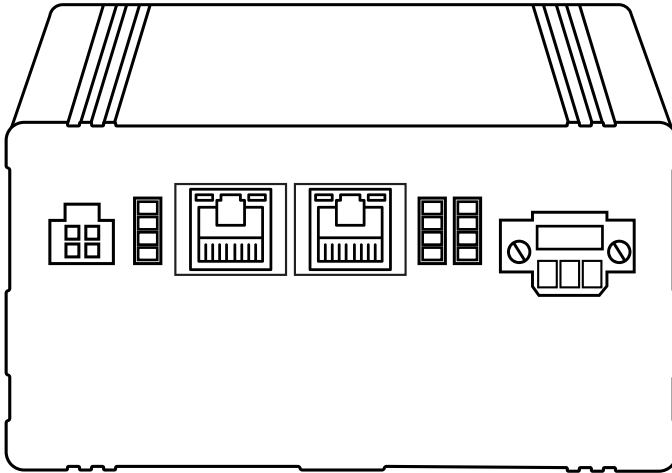




SILBO™

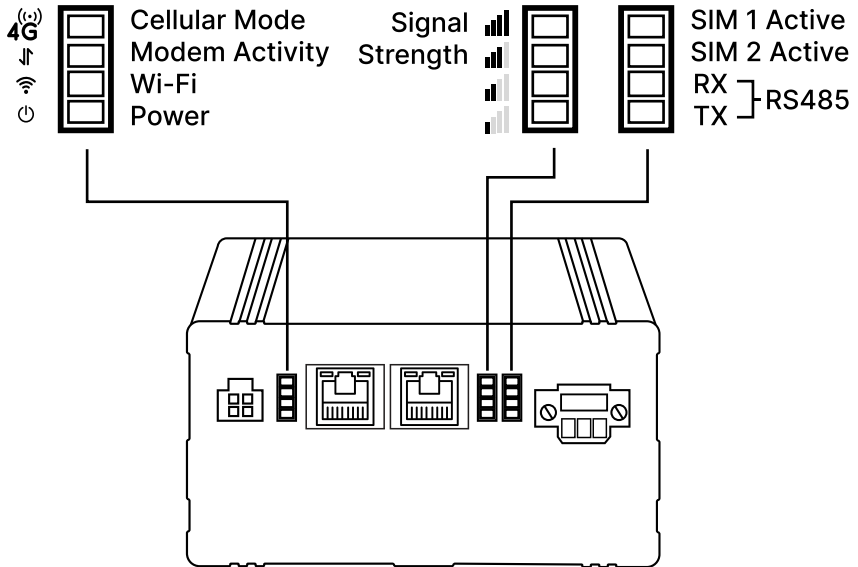
An Invendis Product



Quick Start Guide for SILBO-IA44-C

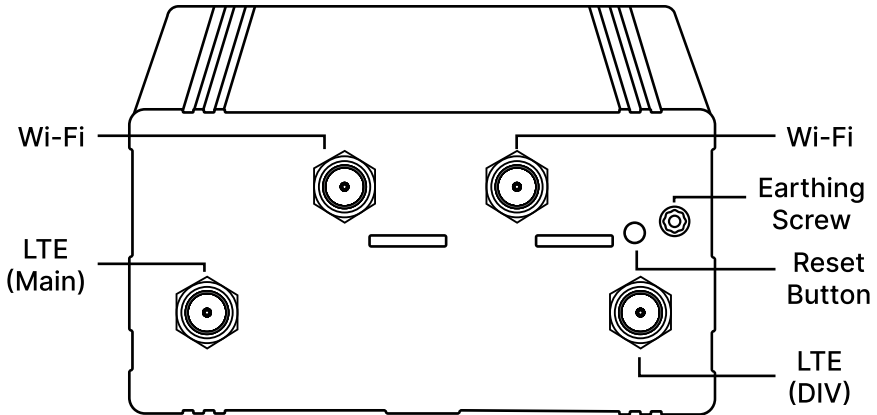
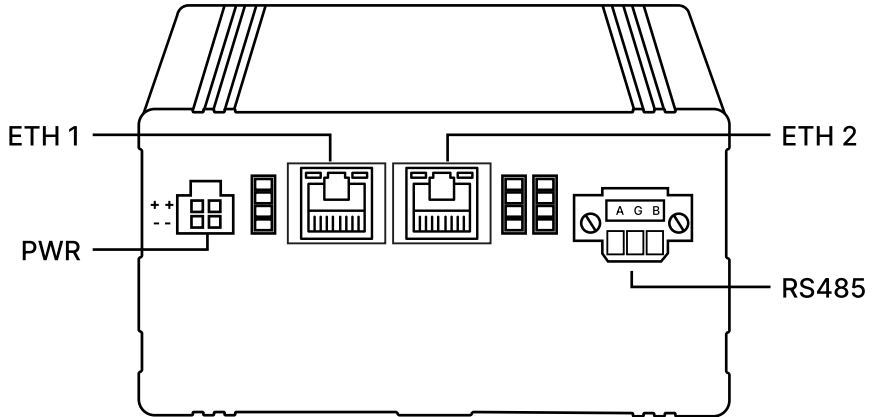
1. About Router

1.1 LED indication



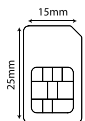
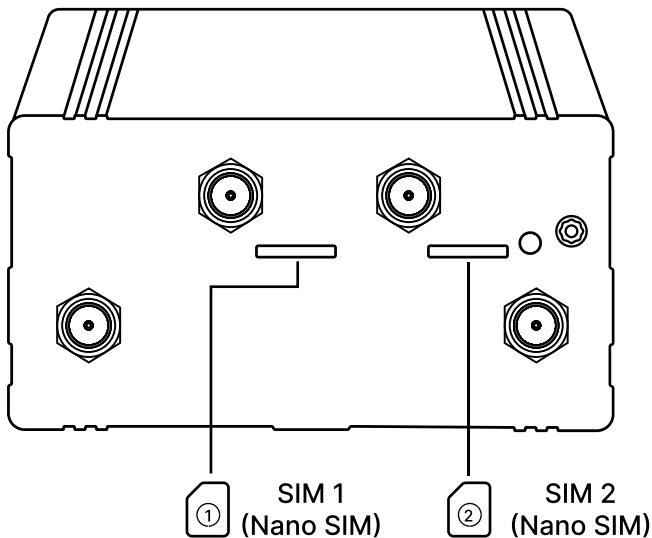
LED	STATUS	INDICATION
Cellular Mode	ON/OFF	ON indicates Network connection mode is 4G OFF indicate Network connection mode is 2G/3G
Modem Activity	ON/OFF Flashing	Flashing slowly (200ms ON/1800ms OFF) Network searching Flashing slowly (1800ms ON/200ms OFF) Idle Flashing quickly (125ms ON/125ms OFF) Data transfer is ongoing
Wi-Fi	<ul style="list-style-type: none"> • ON/OFF • Flashing 	<ul style="list-style-type: none"> • ON indicates Wi-Fi Network is ready • Flashing indicates Data transfer is ongoing/Device booting indication
Power	ON/OFF	ON indicates device is powered OK with 9-30V DC
SIM 1 Active	ON/OFF	ON indicates that the device is getting data connectivity from SIM1
SIM 2 Active	ON/OFF	ON indicates that the device is getting data connectivity from SIM2
RS485 RX	Flashing	Flashing indicates RS485 Interface data reception ongoing
RS485 TX	Flashing	Flashing indicates RS485 Interface data transmission ongoing

1.2 Interfaces



1.3 SIM Insertion / Removal Process

Insertion of primary SIM and secondary SIM as per below Figure. The SIM connector in the SILBO-IA44-C router is push-push type. You push to insert the SIM (until you hear a click sound) and push to extract the SIM out.



Mini SIM



Micro SIM



Nano SIM
Front



Nano SIM
Back

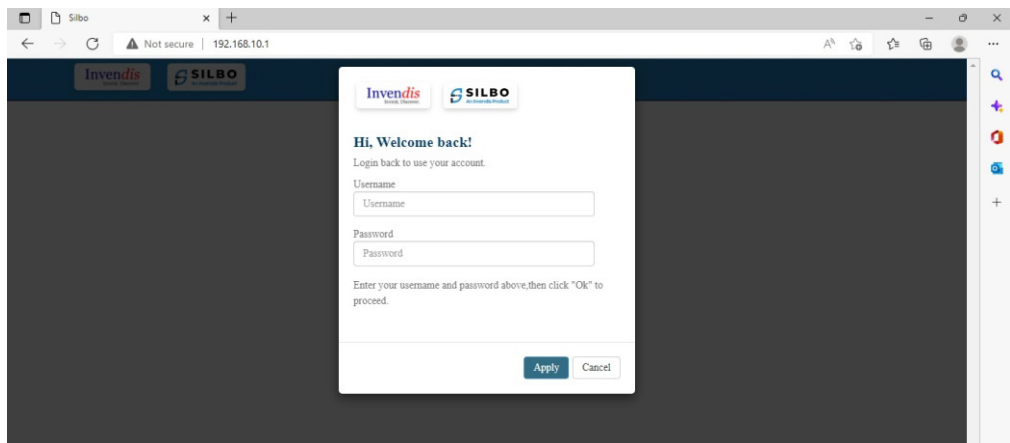
2. Web Page Login

Follow the below instructions to log into devices WEBGUI.

Connect the LAPTOP/Desktop to the LAN interface(ETH1) or connect to the router/Gateway using Mobile/Tablet/LAPTOP over Wi-Fi.

Router/Gateway will assign IP using built-in DHCP server or LAN/WLAN Client can have static IP in 192.168.10.x/24 or 192.168.100.x/24 subnet respectively for LAN or Wi-Fi interface.

Use LAN IP 192.168.10.1 or WLAN IP 192.168.100.1 in the web browser to log in as shown.



Login credentials -

WebUI: admin/admin

Wi-Fi SSID: AP_xxxx

Wi-Fi Password: 12345678

For support write an email to routersupport@invendis.com