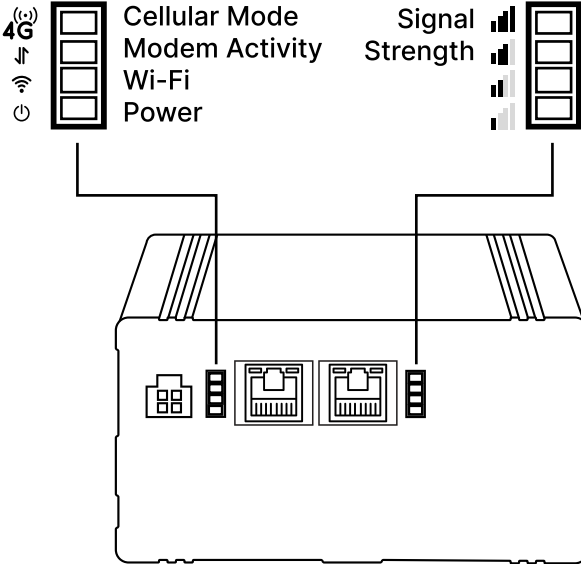


# Quick Start Guide for SILBO-IA44-A

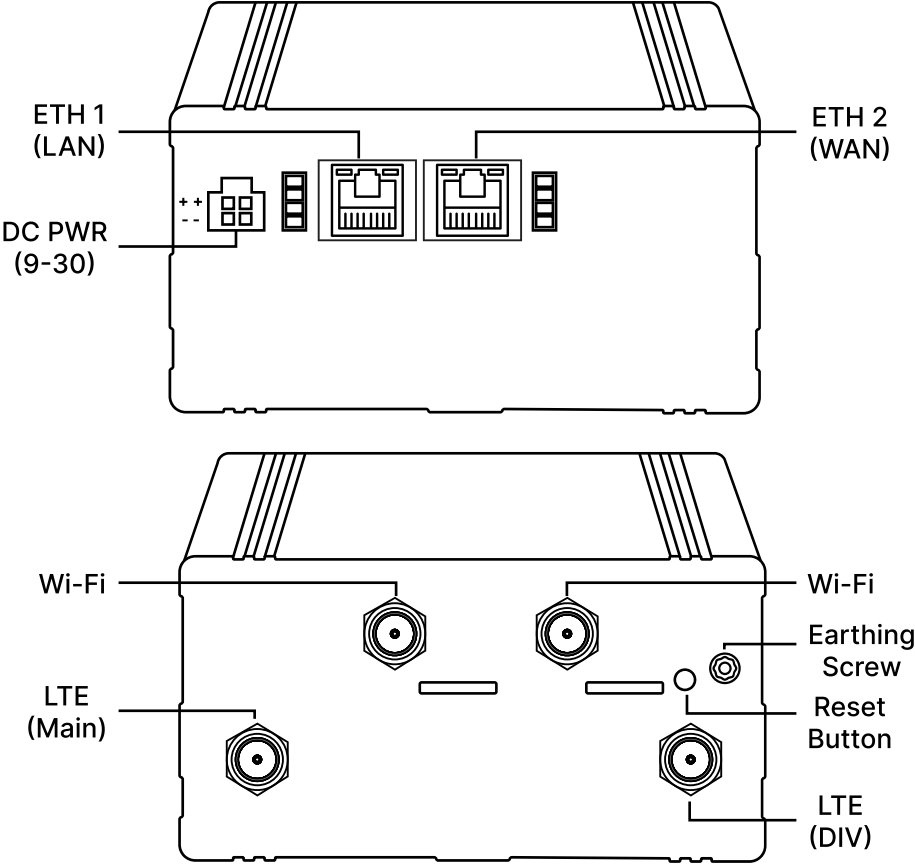
# 1. About Router.

## 1.1 LED Indication



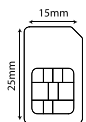
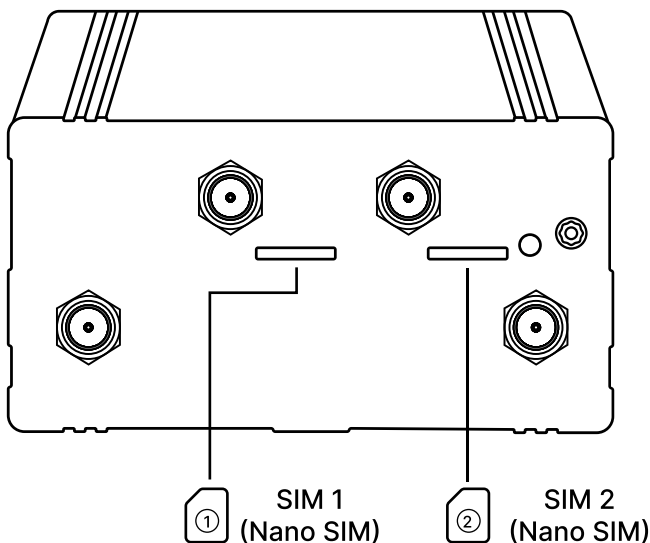
<b>LED</b>	<b>STATUS</b>	<b>INDICATION</b>
<b>Cellular Mode</b>	ON/OFF	ON indicates Network connection mode is 4G. OFF indicate Network connection mode is 2G/3G.
<b>Modem Activity</b>	ON/OFF Flashing	Flashing slowly (200ms ON/1800ms OFF) Network searching. Flashing slowly (1800ms ON/200ms OFF) Idle. Flashing quickly (125ms ON/125ms OFF) Data transfer is ongoing.
<b>Wi-Fi</b>	<ul style="list-style-type: none"> <li>• ON/OFF</li> <li>• Flashing</li> </ul>	<ul style="list-style-type: none"> <li>• ON Indicates Wi-Fi Network is Ready.</li> <li>• Flashing indicates Data transfer is ongoing/Device booting indication</li> </ul>
<b>Power</b>	ON/OFF	ON indicates device is powered OK with 9-30V DC

# 1.2 Interfaces



# 1.3 SIM Insertion / Removal Process

Insertion of primary SIM and secondary SIM as per below Figure. The SIM connector in the SILBO-IA44-A router is push-push type. You push to insert the SIM (until you hear a click sound) and push to extract the SIM out.



Mini SIM



Micro SIM



Nano SIM  
Front



Nano SIM  
Back

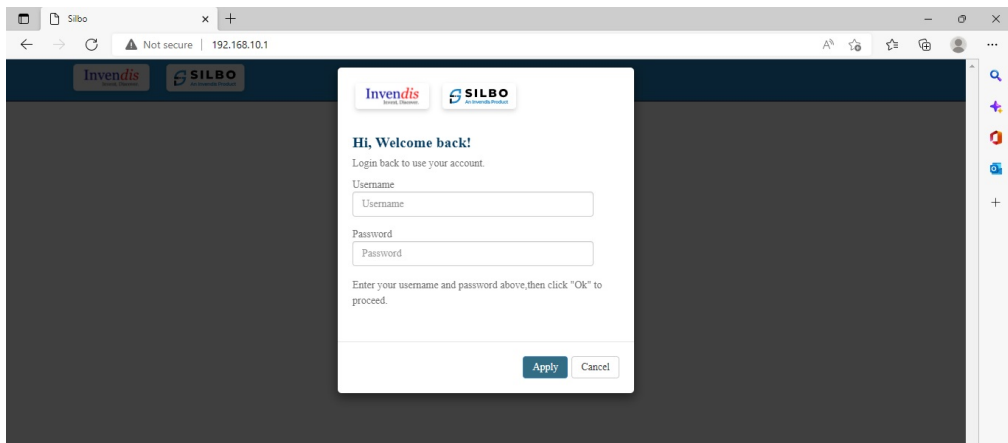
## 2. Web Page Login

Follow the below instructions to log into devices WEBGUI.

Connect the LAPTOP/Desktop to the LAN interface(ETH1) or connect to the router/Gateway using Mobile/Tablet/LAPTOP over Wi-Fi.

Router/Gateway will assign IP using built-in DHCP server or LAN/WLAN Client can have static IP in 192.168.10.x/24 or 192.168.100.x/24 subnet respectively for LAN or Wi-Fi interface.

Use LAN IP 192.168.10.1 or WLAN IP 192.168.100.1 in the web browser to log in as shown.



Login credentials -

**WebUI: admin/admin**

**Wi-Fi SSID: AP\_xxxx**

**Wi-Fi Password: 12345678**

For support write an email to [routersupport@invendis.com](mailto:routersupport@invendis.com)